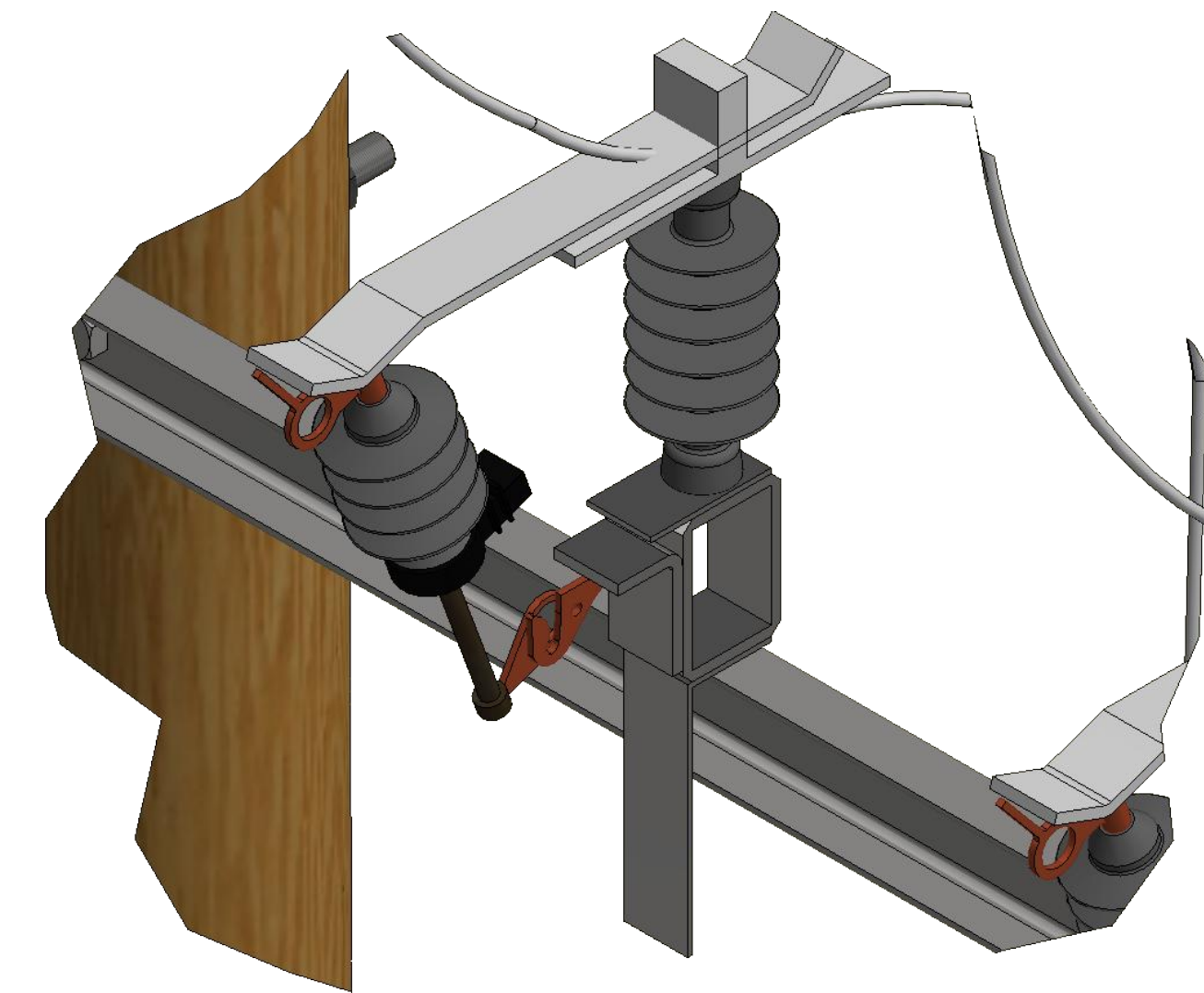
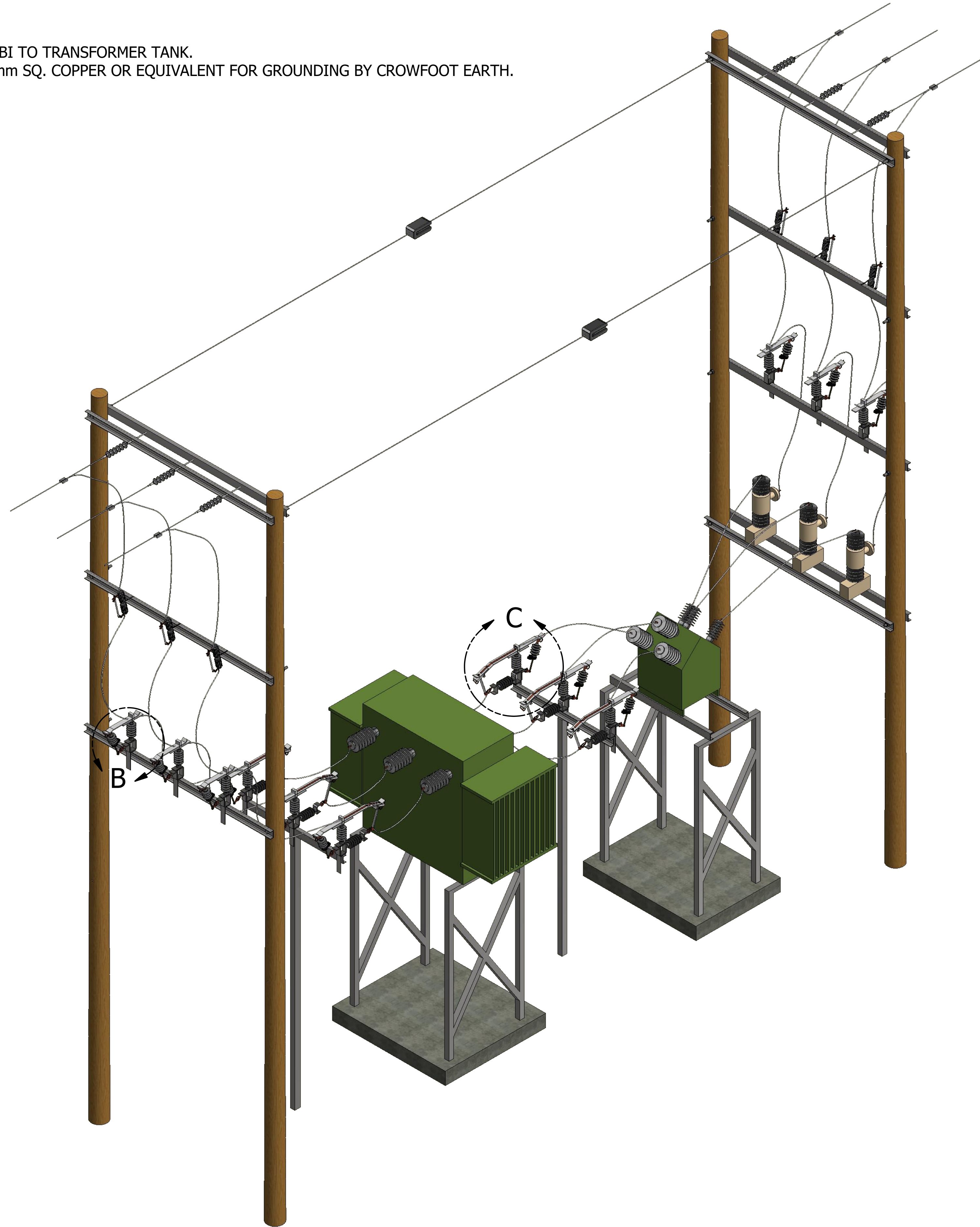
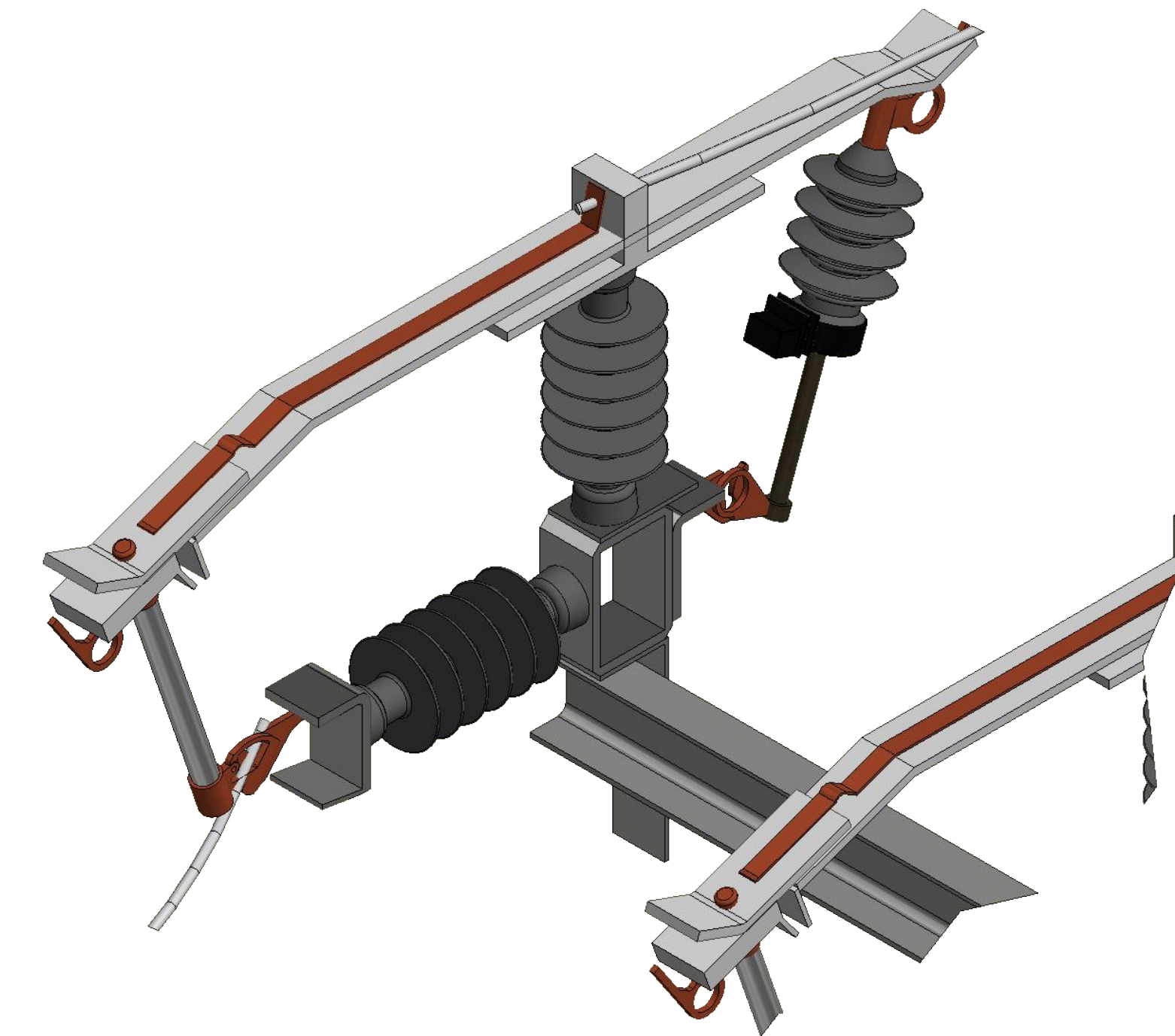


- NOTE:**
 1. BOND COMBI TO TRANSFORMER TANK.
 2. USE 16-35mm SQ. COPPER OR EQUIVALENT FOR GROUNDING BY CROWFOOT EARTH.



DETAIL - B
FIRE WALL INSTALLATION



DETAIL - C
COMBI UNIT INSTALLATION

<p>LIVE LINE TECHNOLOGY</p>	DRAWN	20/03/2021	LIVE LINE TECHNOLOGY www.liveline.co.za	
	CHECKED			
	MFG		BOTSWANA SS 500kVA_33kv_11kv	
	APPROVED	KEVIN RISI		
	Tel: +27184685080		D	COMBI - 006/21
	sales@liveline.co.za		SCALE - 1:1	SHEET 2 OF 2